

L SERIES - L2

28.66" x 21.73" x 22.64"
72.8cm x 55.2cm x 57.5cm



- ▶ **Stainless Steel Boiler**
Stainless steel boiler helps maintain the temperature and quality of the water, and ensures sanitary conditions.
- ▶ **Automatic Cleaning**
The separate independent auto-cleaning function makes cleaning and maintaining the machine easy.
- ▶ **Minimalist Design**
Combining minimal design, metallic texture and diamond black side panels to create a unique style.
- ▶ **Keyboard Panel**
Easily programmable with four settings for each group head.
- ▶ **Professional Portafilters**
 - 1 Single Coffee Portafilter
 - 2 Double Coffee Portafilters



Specifications

- Water Access: Plumbed
 - Legs: Metallic legs
- Width 1.77in. (4.5cm)
Height 3.35in. (8.5cm)

Additional Features

- 2 steam wands
- 1 hot water outlet

Plumbing Requirements

PSI	kPa	Fitting Supplied
30-60	207-414	3/8"BSPP

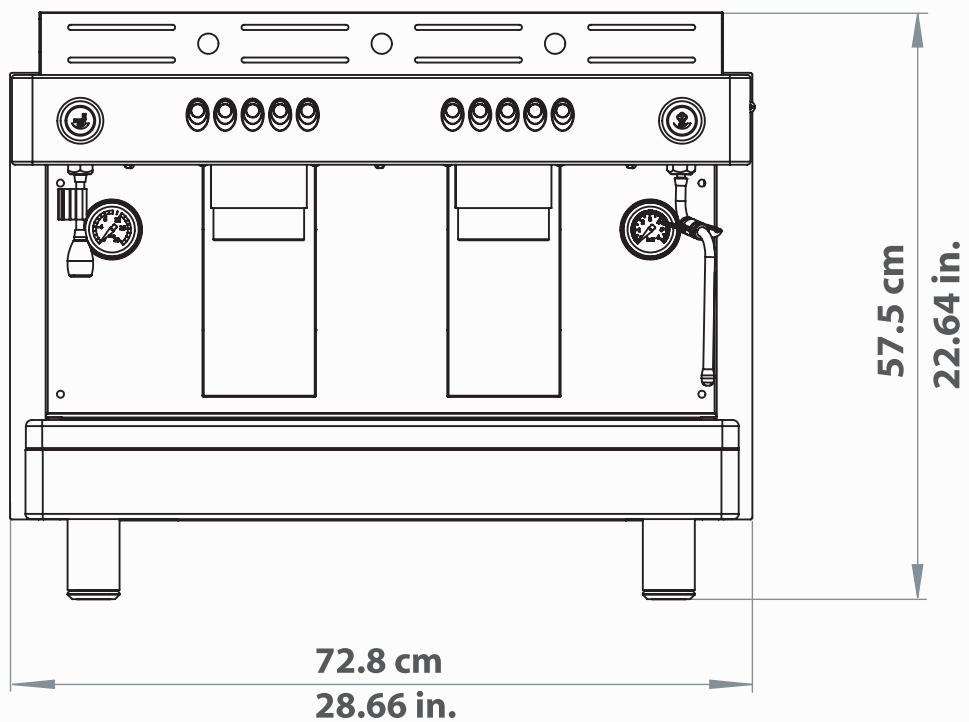
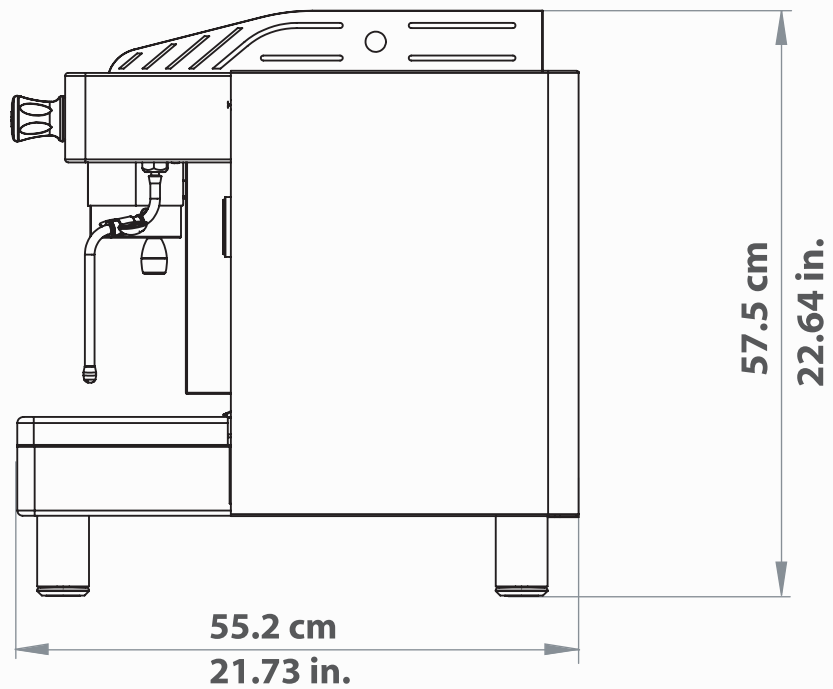
Electrical & Capacity

Brewing System	Boiler Volume	Voltage	Ampere	Watts	Hertz	# Wires plus Ground	Input H ² O Temp.	Phase	Cord Attached
2 coffee	12L*1	220/240 Vac	21A	4500W	50/60	3	77°F (25°C)	1	Yes

LION SERIES ESPRESSO MACHINE

L2

Two Group Head Espresso Machine



Specification

L2	Unit				Shipping			
	Width	Depth	Height	Weight	Width	Depth	Height	Weight
English	28.66 in.	21.73 in.	22.64 in.	158.73 lbs	38.58 in.	26.77 in.	28.74 in.	187.39 lbs
Metric	72.8 cm	55.2 cm	57.5 cm	72 kg	98 cm	68 cm	73 cm	85 kg